

Specification

Model	TR-D6254IR15
Image sensor	1/2.8" CMOS 5MP
Resolution	5MP(2560x1920) 4MP(2560x1440)
Frame rate	5MP@20fps 4MP/3MP/FullHD@25fps
Electronic shutter speed	1/1 ~ 1/30 000 sec
"Day/Night" mode	Mechanical ICR
Sensitivity	0.005Lux (F1.3) / 0Lux(IR on)
IR range	up to 150 meters
Lens (MM)	4.9-156 mm, F1.35-F4.4
Field of view (horiz./vert.)	54.5° - 2.24° / 30.3° - 1.27°
Optical zoom	x32
Digital zoom	x16
Pan/Tilt Range	Pan: 0° ~ 360° (infinite) Tilt: -10° ~ 90° (autoflip to 180°)
Manual Control Speed	Pan: 0.1°/s ~ 300°/s Tilt: 0.1°/s ~ 200°/s
Preset Speed	Pan: 400°/s Tilt: 300°/s
Auto focus	Yes
WDR	Real WDR (120dB)
Digital noise reduction	2DNR / 3DNR
Video compression	H.265+ / H.265 / H.264+ / H.264
Bitrate	up to 20Mbps
Local storage	MicroSD up to 256GB
Audio	Two-way audio channel
ROI	Yes (up to 8 zones)
IVS	Yes
RTC	Yes
Alarm IN/OUT	2 / 1
Power supply	PoE+ (802.3at) / 24V AC (3A)
PoE Class	4
Power consumption	24W (IR on)
Lightning protection	TVS 6000V
Case material	Aluminium
Dimensions (mm)	Ø186 x 309
Weight Net/Gross (g)	3900 / 7010
Ingress protection	IP66
Working temperature	-40°C ... +70°C

Technical support

www: helpdesk.trassir.com

mail: helpdesk@trassir.com

TR-D6254IR15

5MP IR outdoor high-speed PTZ camera



Data _____ Stamp _____

Here is the confirmation form for warranty assurance

Note: read user manual before using

Website: www.trassir.com

For any inquiry: info@trassir.com

Introduction

Congratulations on purchasing TR-D6254IR15 IP camera .
Please read User Manual before using the camera.

Key features

- Supports H.265+ codec
- Wide dynamic range (Real WDR 120dB)
- IR range up to 150 meters
- Built-in video archive (Edge Storage) – local recording on MicroSD card* up to 256GB
- IVS: Human / Face detection; Line crossing / Intrusion detection ; Abandoned / Missing objects detection; Autotracking; Motor vehicle / Non-motor vehicle detection
- Two-way audio channel (1 in / 1 out)
- Alarm IN/OUT (2/1)
- IP66 weather-tight case
- 24V AC or PoE+ power supply
- Lightning protection: TVS 6000V**

* MicroSD card is not included into camera package
** The device must be grounded

Camera package

1. IP camera 1 pc.
2. User manual 1 pc.
3. Wall mount bracket 1 pc.
4. Waterproof Coupling Kit 1 pc.
5. Hexagon wrench 1 pc.
6. Antistatic glove 1 pc.
7. Power supply unit 1 pc.

Attention!

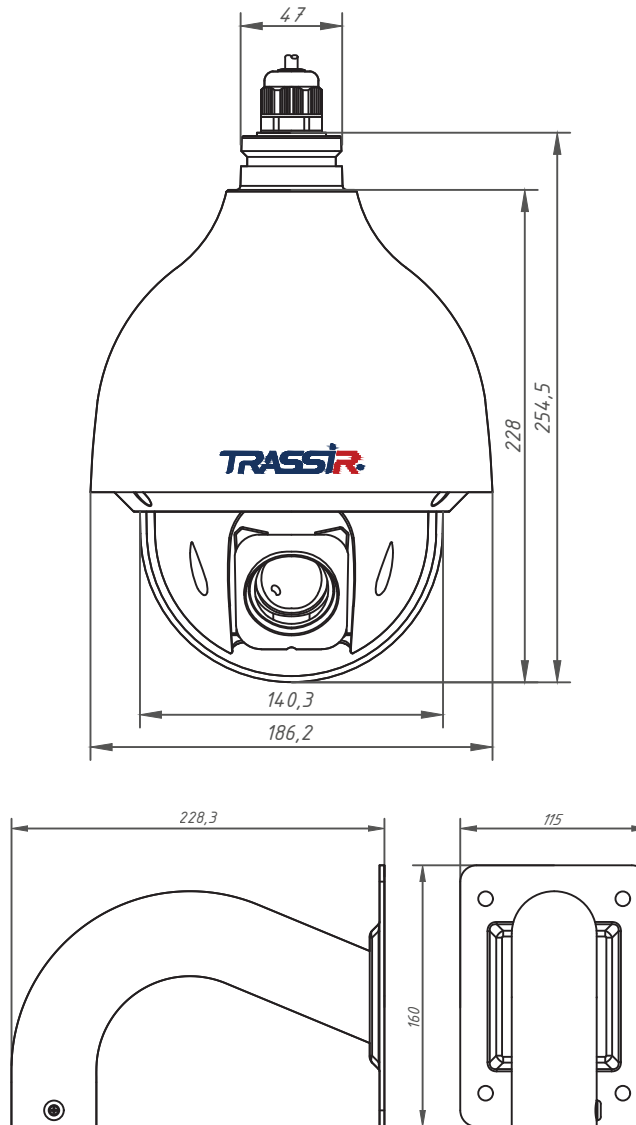
The power supply should meet the following requirements: output voltage, current, polarity, and working temperature. When using the camera in thunderstorm conditions, make sure there is a lightning rod or unplug the power connector.
Pay attention to the temperature requirements for IP camera operation. Avoid using the device in excessively high or low temperatures.
Do not install the camera near heaters. Do not point the camera lens at the sun or at bright objects as this can damage the image sensor.

Connecting

To get started with IP camera you are required to have a PC connected to the local network with Windows installed and Internet Explorer version 8 or higher.

1. Connect IP camera to the network.
2. When the camera is connected through a switch which doesn't support PoE, connect adapter to power jack.

Dimensions



Manual setting of network parameters

In order to connect to the IP camera, the PC should be in the same local network as the camera. The IP address of the camera, the PC and any other device on the network should not match.

IP camera has the following default settings:

- IP address: 192.168.1.188
- Subnet mask: 255.255.0.0
- Gateway: 192.168.1.1
- HTTP-port: 80
- username: admin
- password: admin

PC network settings example:

- IP address: 192.168.1.10;
- Subnet mask: 255.255.0.0.

There are 3 options to set up your camera:

1. Change IP address of a camera manually.
Start your browser, connect to IP camera and enter your username and password. Choose appropriate menu item and change network settings of IP camera.
2. Set up camera IP address using fast configuration utility that can be downloaded from www.trassir.com.
3. Change IP camera settings using TRASSIR professional software.

You can find detailed camera settings instructions in User Manual that can be downloaded from trassir.com.